
Adjustable Typhoon Blower Driven Airknife

Contents

| | | |
|----------|--|-----------|
| 1 | Adjustable Typhoon Blower Driven Airknife | 2 |
| 1.1 | Overview | 2 |
| 1.2 | Benefits | 3 |
| 1.3 | Applications | 3 |
| 1.4 | Uses | 3 |
| 2 | Models | 4 |
| 2.1 | Blower Driven Typhoon Air Knives | 4 |
| 3 | Technical data | 10 |

1 Adjustable Typhoon Blower Driven Airknife

Air Knives Deliver Flat Sheet of Amplified Air

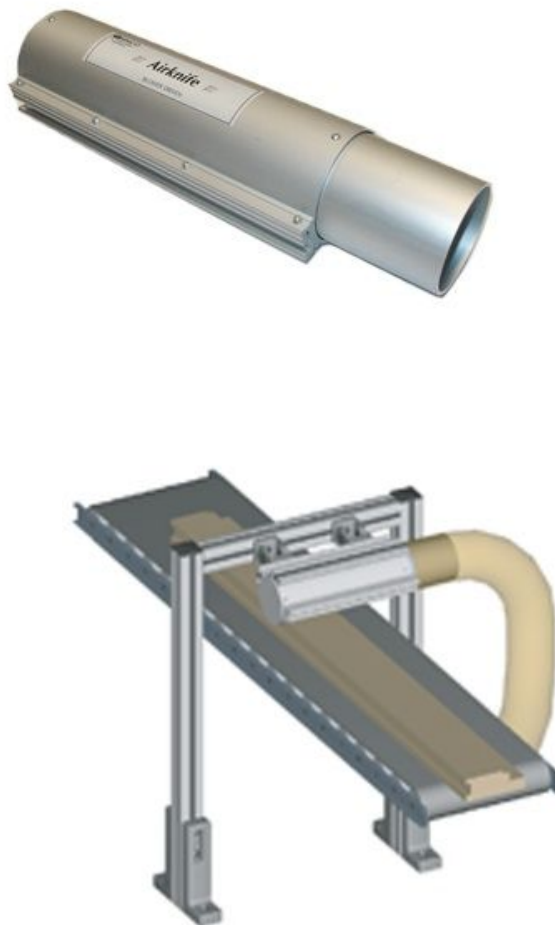
1.1 Overview

The Blower Driven Typhoon Airknife has the same functions as the Curtain Transvector. However, by using blowers in stead of compressed air, it can reduce operational costs over 90%.

The Typhoon Blower Driven Airknife is made of an extruded aluminium section with an adjustable air outlet, and it's available in lenght up to 4 meters.

It can be provided as an Airknife only, or as a complete system with blower (side channel or centrifugal blower), ducting and supports.

Available outlet from 0.2 to 5 mm for air pressures of up to 200 mbar and with air-speeds of 200 m/s. Higher pressure or speed can be reached with outlet regulation.



1.2 Benefits

- Clean, uniform, high-velocity, low-noise air stream Anodized finish for corrosion protection
- Up to 2500mm with air inlet on one side
- Connection for pressure gauge
- Brackets available for compact and easy installation
- Airknife only or complete system delivery
- Own design and production for maximum quality and performance

1.3 Applications

Our newly developed Blower Driven Airknife is ideal for a wide range of cleaning, drying and cooling applications.

The Blower Driven Airknife can be used for drying or cleaning bottles, cans and crates, plastic parts, sheet and strip, textiles or to blowaway chips, shavings and dust in metal and woodworking machines. Or to remove debris from larger operations, surfaces or objects.

1.4 Uses

- Dry and clean bottles and cans
- Dry and clean ceramics and plastic
- Dry glass machines

2 Models

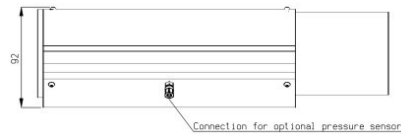
2.1 Blower Driven Typhoon Air Knives

Blower Driven Typhoon Air Knives use an electrical blower instead of compressed air for continuous operations to reduce air consumption and costs.

Available other measures on request.

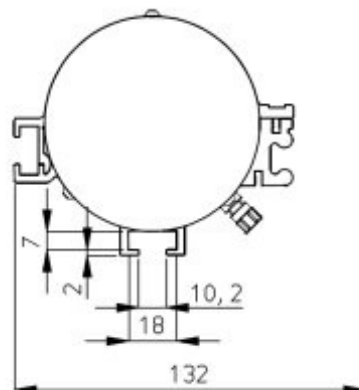
951-200: Air Knife (200 mm)

| | |
|--------------------------|-----------|
| Model | 951-200 |
| Material of Construction | Aluminium |
| Length, mm | 200 |
| Electrical resistance | No |



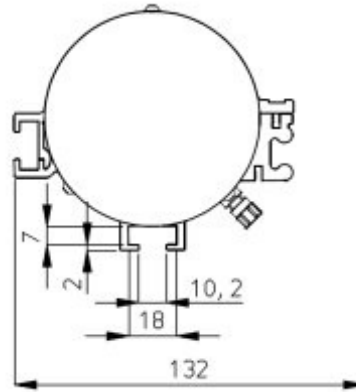
951-300: Air Knife (300 mm)

| | |
|--------------------------|-----------|
| Model | 951-300 |
| Material of Construction | Aluminium |
| Length, mm | 300 |
| Electrical resistance | No |

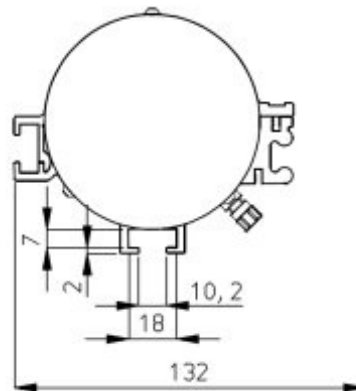


951-450: Air Knife (450 mm)

| | |
|--------------------------|-----------|
| Model | 951-450 |
| Material of Construction | Aluminium |
| Length, mm | 450 |
| Electrical resistance | No |

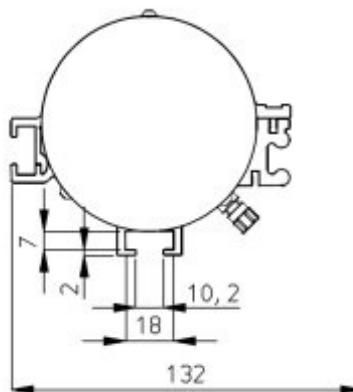
**951-600: Air Knife (600 mm)**

| | |
|--------------------------|-----------|
| Model | 951-600 |
| Material of Construction | Aluminium |
| Length, mm | 600 |
| Electrical resistance | No |

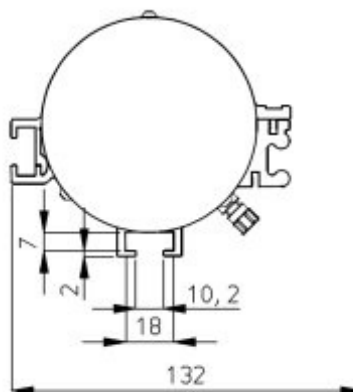


951-900: Air Knife (900 mm)

| | |
|--------------------------|-----------|
| Model | 951-900 |
| Material of Construction | Aluminium |
| Length, mm | 900 |
| Electrical resistance | No |

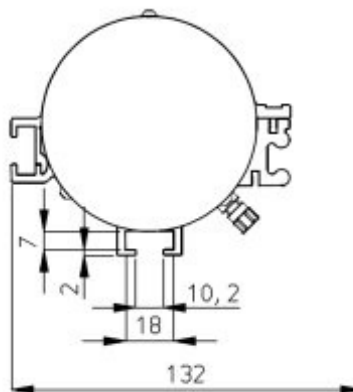
**951-1200: Air Knife (1200 mm)**

| | |
|--------------------------|-----------|
| Model | 951-1200 |
| Material of Construction | Aluminium |
| Length, mm | 1200 |
| Electrical resistance | No |

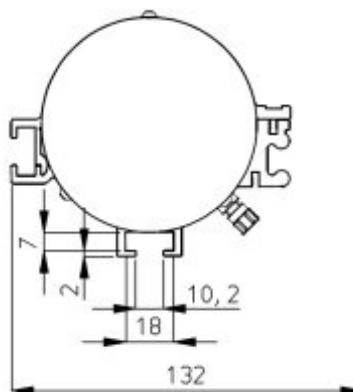


951-1500: Air Knife (1500 mm)

| | |
|--------------------------|-----------|
| Model | 951-1500 |
| Material of Construction | Aluminium |
| Length, mm | 1500 |
| Electrical resistance | No |

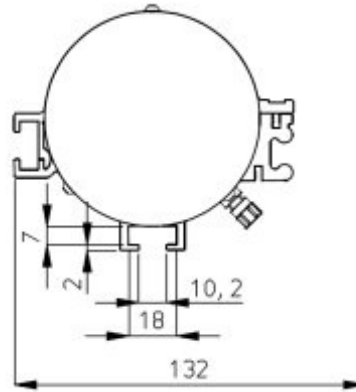
**951-2000: Air Knife (2000 mm)**

| | |
|--------------------------|-----------|
| Model | 951-2000 |
| Material of Construction | Aluminium |
| Length, mm | 2000 |
| Electrical resistance | No |

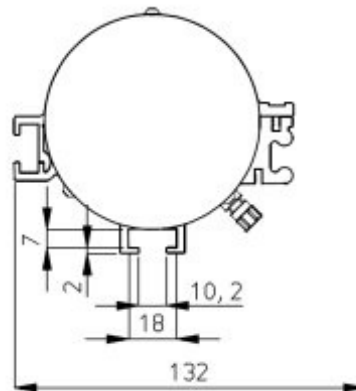


951-2500: Air Knife (2500 mm)

| | |
|--------------------------|-----------|
| Model | 951-2500 |
| Material of Construction | Aluminium |
| Length, mm | 2500 |
| Electrical resistance | No |

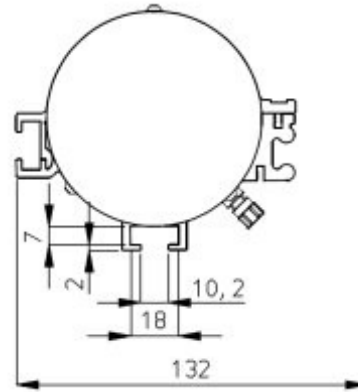
**951-2750: Air Knife (2750 mm)**

| | |
|--------------------------|-----------|
| Model | 951-2750 |
| Material of Construction | Aluminium |
| Length, mm | 2750 |
| Electrical resistance | No |



951-3000: Air Knife (3000 mm)

| | |
|--------------------------|-----------|
| Model | 951-3000 |
| Material of Construction | Aluminium |
| Length, mm | 3000 |
| Electrical resistance | No |



3 Technical data

Blower Driven Typhoon Air Knives

| Model | Material of Construction | Length, mm | Electrical resistance |
|----------|--------------------------|------------|-----------------------|
| 951-200 | Aluminium | 200 | No |
| 951-300 | Aluminium | 300 | No |
| 951-450 | Aluminium | 450 | No |
| 951-600 | Aluminium | 600 | No |
| 951-900 | Aluminium | 900 | No |
| 951-1200 | Aluminium | 1200 | No |
| 951-1500 | Aluminium | 1500 | No |
| 951-2000 | Aluminium | 2000 | No |
| 951-2500 | Aluminium | 2500 | No |
| 951-2750 | Aluminium | 2750 | No |
| 951-3000 | Aluminium | 3000 | No |